

Gas Pal Pump Kit Assembly and Installation Instructions

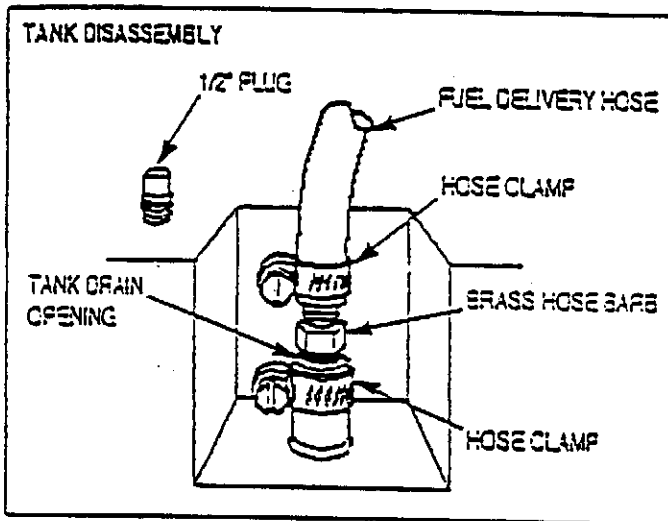
Parts List: Gas Pal pump, 2" O.D. rubber cap gasket, 1/2" plug, 5/8 O.D. x 5" black intake hose and hose clamp

Tools required: Adjustable wrench and a screw driver

1) Gas Pal disassembly:

A) Place the tank in a horizontal position. Lift hose above tank to drain any residual fuel from the hose into the tank.

Important: Failure to follow these instructions may lead to damage to the drain opening threads and allow fuel leakage.



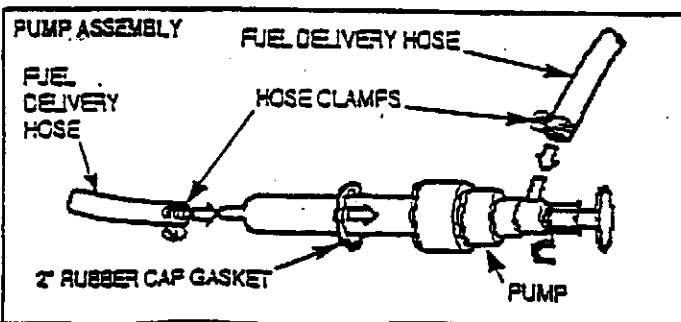
B) Loosen the hose clamp on the tank end of the hose and remove the hose from the brass tank hose barb.

C) Loosen the hose clamp securing the tank drain opening to the hose barb. Remove the brass hose barb with the wrench. Retain the hose barb for future use.

D) Insert the 1/2" plug into the tank drain opening, secure firmly and tighten the hose clamp.

2) Pump assembly:

A) Slide the tank end of the fuel delivery hose over the discharge nozzle on the pump. Secure with the hose clamp.



B) Slide the 5" intake hose onto the intake nozzle on the bottom of the pump. Secure the hose to the pump with the hose clamp.

C) Slide the 2" gasket onto the pump body.

3) Pump Installation:

A) With the tank in the horizontal position, remove the tank fill cap. Retain for future use.

B) Insert the pump into the tank and tighten the cap.

4) Pump use:

A) Tank must be in the horizontal position.

B) Insert the valve end of the delivery hose into the empty fuel tank, open the hose shut-off valve and operate the pump by moving the pump handle up and down.

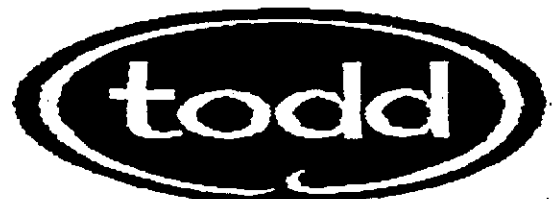
C) When fuel transfer is complete, the pump handle should be in the down position and all fuel should be drained from the hose. Close the hose shut-off valve and secure the hose.

Transporting the Gas Pal:

A) To transport the Gas Pal, drain any residual gas in the hose, remove the pump and securely re-install the fill cap.

B) Place the Gas Pal in the horizontal position and secure it in your vehicle so it will not move around and there is no likelihood that loose objects in the vehicle puncture it.

WARNING:
Pump must be removed
when transporting the Gas Pal.



530 Wellington Ave., Cranston, RI 02910 USA

CP-Pump Assembly Kit Item No. 999