

# HOLDING TANK FITTINGS RELOCATION INSTRUCTIONS

Use the following instructions to relocate fittings on your holding tank.

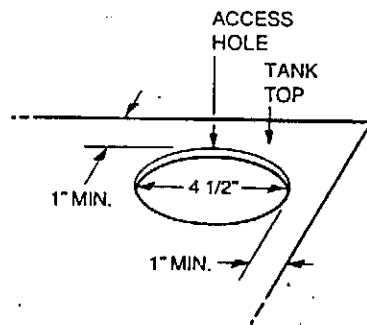
## Holding Tank Relocation Kit Parts List:

- 1 access plate
- 2 1-1/2" NPT plugs
- 1 1/2" NPT plug
- 1 5/8" thru hull fitting
- 2 1-1/2" thru hull fill and discharge fittings
- 6 each stainless steel screws, washers and nuts

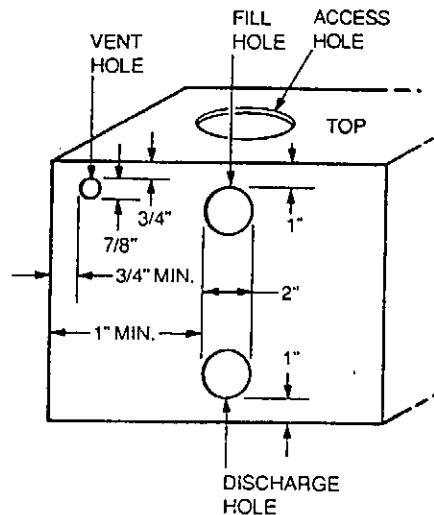
1. Place tank where you will want it in your boat. With a magic marker or grease pencil, mark the locations of the new fill, discharge and/or vent holes. Also mark the top side of the tank.

2. Plug up the old fill, discharge and/or vent holes you do not want to use by coating the threads of the plugs with silicone sealer and screwing them tightly into the tank. We suggest using GE Construction 1200 Sealant/SCS 1201 Clear.

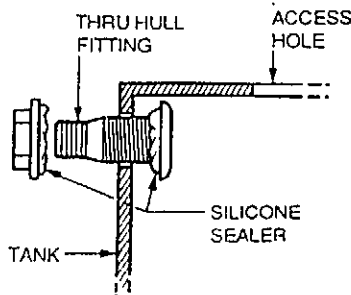
3. In the top of the tank, cut a 4-1/2" diameter hole with a jig saw or hole saw. Keep the edge of the hole at least 1" from the edge of the tank. This hole accommodates the access plate and allows you access to the inside of the tank.



4. Using your location marks, drill out the holes for the new fill, discharge (2" dia. with the edge of the hole 1" minimum from the edge of the tank), and/or vent (7/8" dia. with the edge of the hole 3/4" from the edge of the tank) holes.

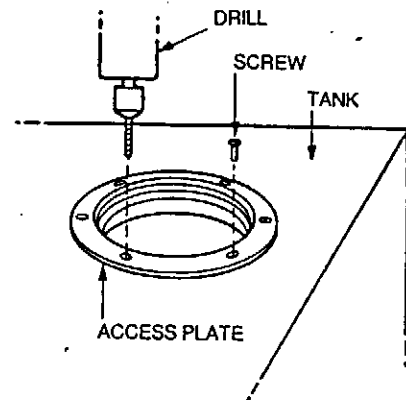


5. Coat the undersides of the thru hull fitting flanges with silicone sealer and, from the inside, push the thru hull fitting through the tank wall. Run a bead of sealer around the



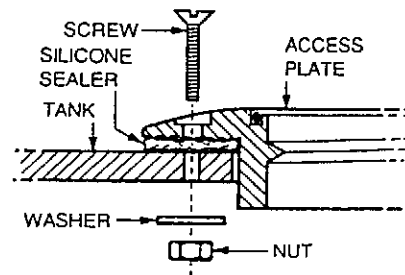
fitting/tank joints, install the fitting nuts and tighten firmly.

6. Place the access plate in the 4-1/2" hole and using the access plate as a template, drill 6 5/32" holes in the tank. Placing the screws in place as you drill the holes will assure a snug accurate fit.



7. Remove the access plate from the hole and apply a generous amount of silicone sealer to the ridged underside of the deck plate.

8. Position the access plate back in the hole so that the 6 screw holes line up. Insert the screws, attach the washers and nuts and tighten the screws firmly.



9. Mount tank and attach marine hoses with hose clamps.

enterprises, inc.  
**todd**

530 Wellington Ave., Cranston, RI 02910