

Todd Large Dock Box Assembly Instructions

Parts list: Dock Box top and bottom,
(10) 1" 5/16-18 hex head bolts, (10) 5/16-18 hex nuts,
(20) 5/16" washers

DRAWING #1

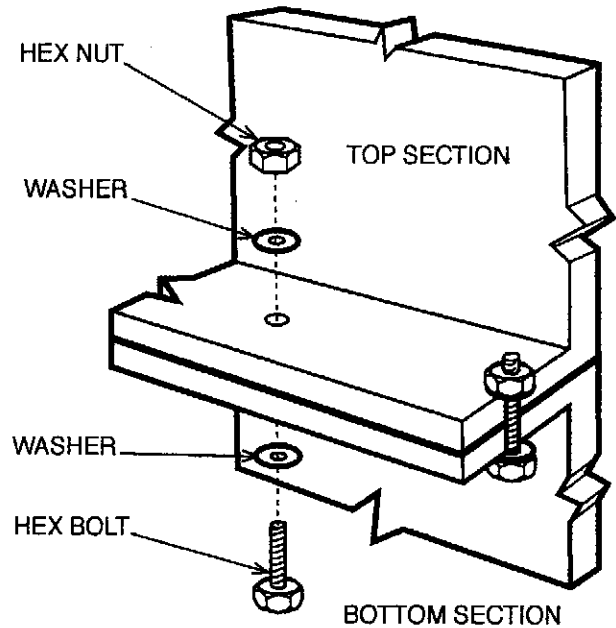
Dock Box Assembly

1. Remove the bottom section of the Dock Box from the top section and place it on the ground. Place the top section on top of the bottom section. Make sure the pre-drilled holes line up.

2. Insert a bolt with a washer through each of the pre-drilled holes. Attach a washer and nut to each bolt and make finger tight. When all are finger tight tighten them securely with a wrench. See Drawing #1



Todd Enterprises, 530 Wellington Ave., Cranston, RI 02910
www.toddusa.com
92-1245 Dock Box Assembly Ins. 4/04



Todd Large Dock Box Assembly Instructions

Parts list: Dock Box top and bottom,
(10) 1" 5/16-18 hex head bolts, (10) 5/16-18 hex nuts,
(20) 5/16" washers

DRAWING #1

Dock Box Assembly

1. Remove the bottom section of the Dock Box from the top section and place it on the ground. Place the top section on top of the bottom section. Make sure the pre-drilled holes line up.

2. Insert a bolt with a washer through each of the pre-drilled holes. Attach a washer and nut to each bolt and make finger tight. When all are finger tight tighten them securely with a wrench. See Drawing #1



Todd Enterprises, 530 Wellington Ave., Cranston, RI 02910
www.toddusa.com
92-1245 Dock Box Assembly Ins. 4/04

