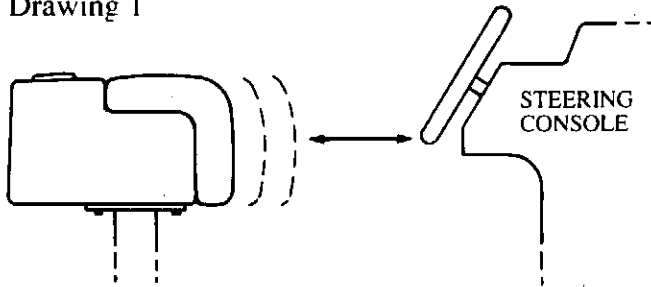


# PORTABLE SINGLE LEANING POST ASSEMBLY INSTRUCTIONS

**Parts List:** Single Leaning Post Body, Pedestal Sleeve with Mounting Plate, SS Retaining Bolt with Wing Nut and 4 Bolts with Washers and Nuts.

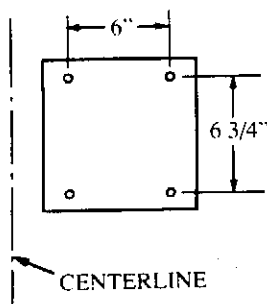
The Portable Single Leaning Post offers 3 position settings fore and aft for maximum comfort. (See Drawing 1)

Drawing 1

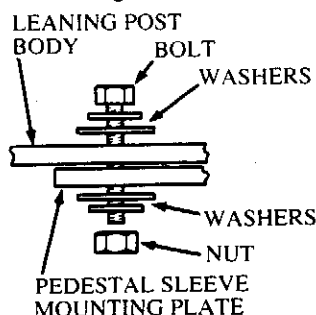


1. To discover which position setting is right for you, place the Pedestal Sleeve over your existing pedestal (Note: The Sleeve Mounting Plate should be orientated so that the long side of the rectangle formed by the mounting holes runs parallel to the centerline of the boat. See Drawing 2) and, after removing the nuts, bolts and washers from the Leaning Post Body, place the Leaning Post Body on top of the Sleeve Mounting Plate. Experiment with the position of the Leaning Post until you are comfortable between the Leaning Post and the steering wheel. Then loosely attach the Leaning Post Body to the Pedestal Sleeve Mounting Plate with the nuts, bolts and washers. (Note: The nuts should be on the underside of the Leaning Post and 4 washers should be used on each bolt. The large washers should be towards the polyethylene body of the Leaning Post. See Drawing 3)

Drawing 2

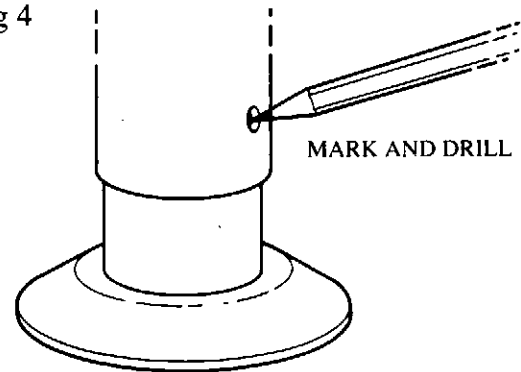


Drawing 3



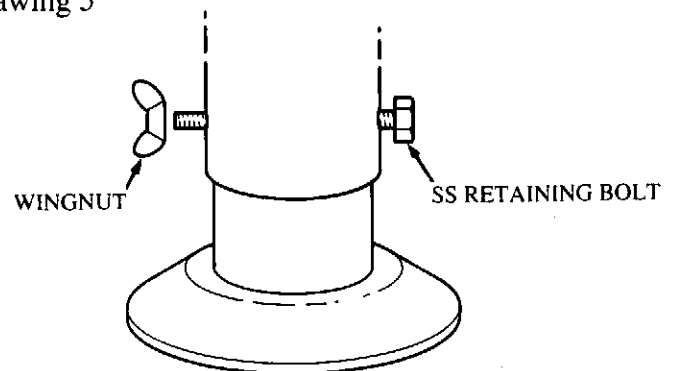
2. Adjust the Leaning Post so that it is at a comfortable height and, using the mounting holes in the Pedestal Sleeve as a guide, mark the pedestal on both sides. Remove the Pedestal Sleeve and drill 3/8" holes through both sides of the existing pedestal. (See Drawing 4)

Drawing 4



3. Slide the Pedestal Sleeve over the pedestal and secure it using the SS Retaining Bolt and Wing Nut. (See Drawing 5) The Retaining Bolt will hold the Leaning Post at the correct height without twisting. **WARNING: The Portable Single Leaning Post must not be used without the Retaining Bolt and Wingnut in place. Failure to use the Retaining Bolt and Wingnut would allow the Leaning Post to shift position and could cause injury.**

Drawing 5



**WARNING: The Portable Single Leaning Post must not be used without the Retaining Bolt and Wingnut in place.**

4. Check the Leaning Post position for comfort and if it is in the correct position, tighten the nuts and bolts, securing the Leaning Post Body to the Pedestal Sleeve.

## Todd Enterprises

530 Wellington Ave., Cranston, RI 02910

Patent Pending