

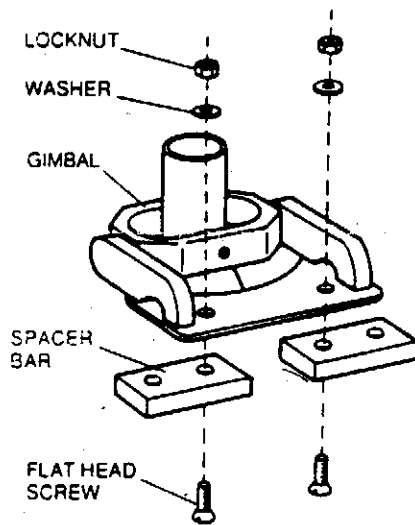
FRONT GIMBAL ASSEMBLY INSTRUCTIONS

Parts List: Gimbal; 2 1" flat head screws, washers and lock nuts; spacer bars with 2 1-1/2" flat head screws, washers and nuts.

1. SPACER BARS/GIMBAL ATTACHMENT:

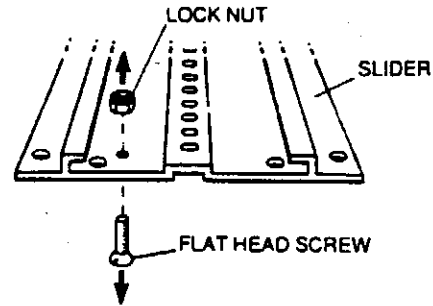
Attach the gimbal to the spacer bars by inserting the 1" flat head screws through the spacer bars (the flat head screws should fit into the countersunk holes in the spacer bars) and through the mounting holes in the gimbal as shown in drawing 1. Add the washers and lock nuts. Tighten the nuts securely.

Drawing 1



2. SLIDER: If you are not using a slider, go to Step 5. If you are using a slider, remove the screw and lock nut from the front end of the slider as shown in drawing 2.

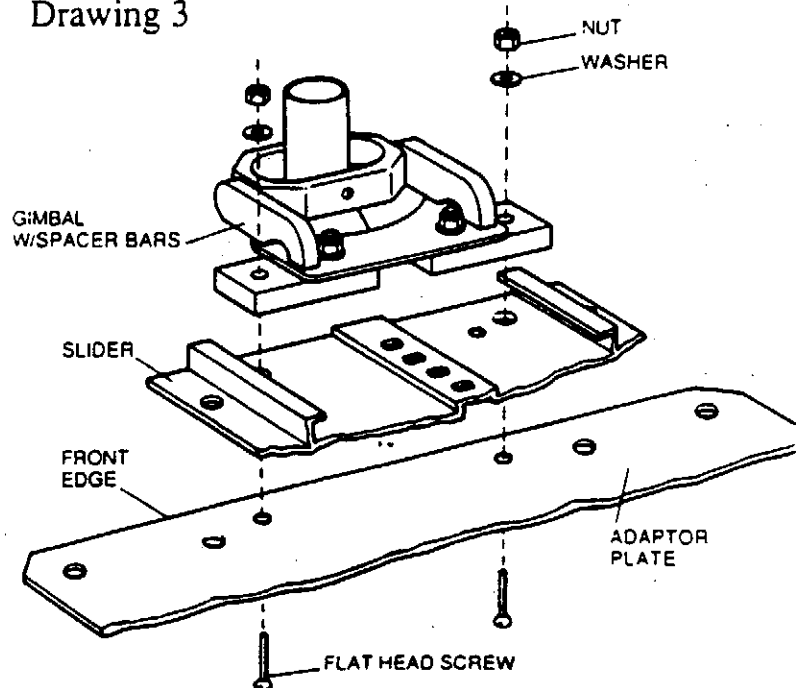
Drawing 2



3. GIMBAL/SLIDER/ADAPTOR PLATE ATTACHMENT:

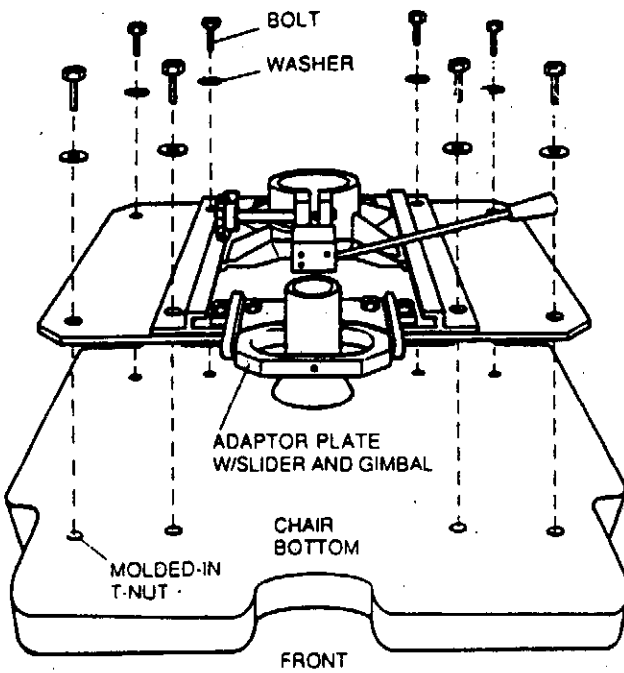
Place the adaptor plate in front of you with the countersunk side down and the side with 6 holes toward you. The side with 6 holes is the front of the adaptor plate. Using the 1-1/2" flat head screws, washers and nuts, attach the gimbal and slider to the adaptor plate as shown in drawing 3. Insert both screws before tightening the nuts securely.

Drawing 3



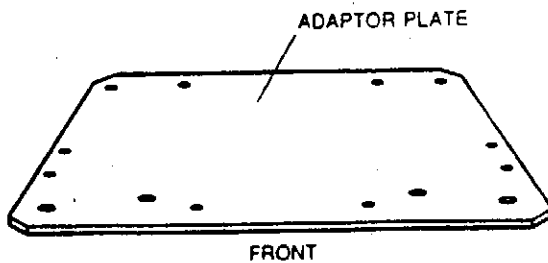
4. ADAPTOR PLATE MOUNTING: Turn the chair upside down and align the adaptor plate mounting holes with the molded-in T-nuts in the chair bottom and attach the plate and slider assembly to the chair using the 8 bolts and washers as shown in drawing 4. Start all 8 bolts before tightening them securely. Place the chair on your pedestal and tighten the locking knob. Disregard the remaining instructions.

Drawing 4



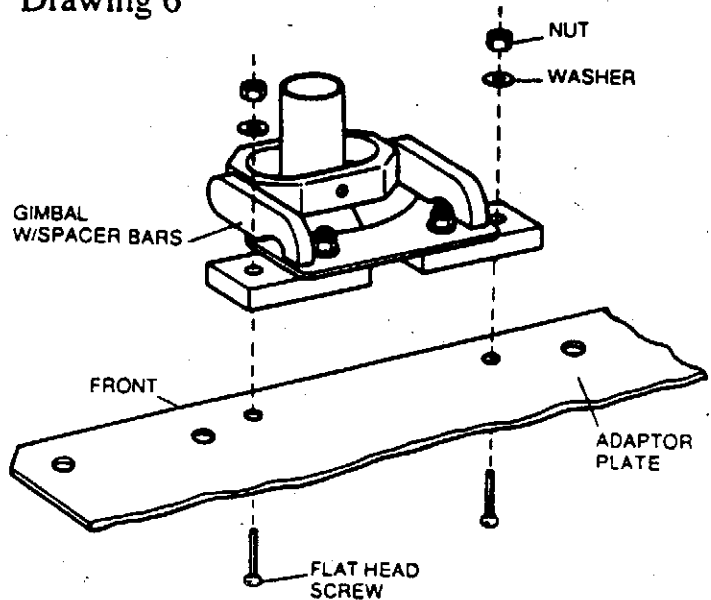
5. ADAPTOR PLATE: Place the adaptor plate in front of you with the countersunk side down and the side with 6 holes toward you. The side with 6 holes is the front of the adaptor plate.

Drawing 5



6. GIMBAL/ADAPTOR PLATE ATTACHMENT: Attach the gimbal with spacer bars to the adaptor plate by inserting the flat head screws up through adaptor plate and spacer bars and attaching washers and nuts as shown in drawing 6. Insert both screws before tightening the nuts securely.

Drawing 6



Todd Enterprises

530 Wellington Ave., Cranston, RI 02910