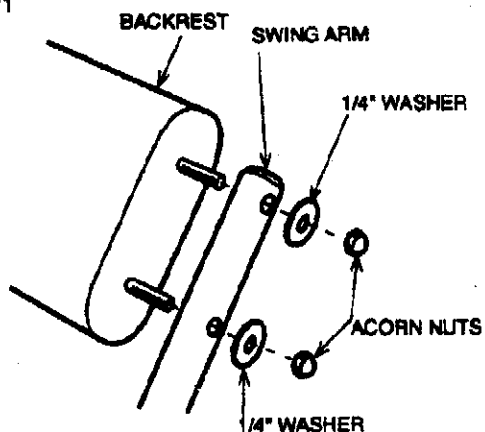


Cooler Swingback Assembly Instructions

Parts list: Cooler Base, Cooler Seat Cushion, Backrest Cushion with (4) Acorn Nuts, (4) 1/4" Washers (2) Swing Arms, (2) 1-3/4" 1/4-20 Bolts, (2) 1/2" Washers and (6) Male Cushion Snap Attachments with 1/4-20 Machine Screws, (6) 1/4" Lock-washers and (6) 1/4"-20 Nylon Nuts.

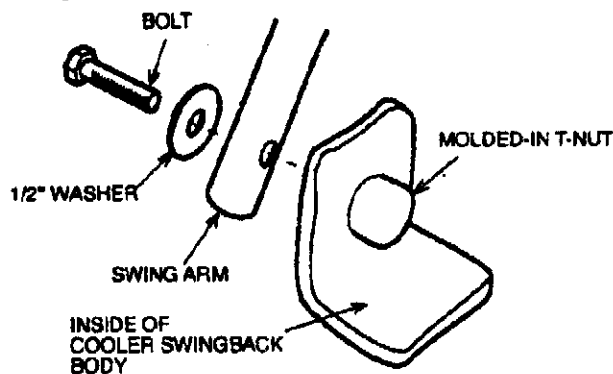
Step 1) Remove the Acorn Nuts from the Backrest and position it between the 2 Swing Arms so that the molded-in bolts go through the holes in the top of the Swing Arms. Place a 1/4" washer on each bolt and reattach the Acorn Nuts and tighten them so that the Swing Arms are pulled in firmly against the Backrest. See Drawing #1.

Drawing #1



Step 2) Insert the Backrest/Swingarm assembly through the guide slots on either side of the Swingback and line up the bolt holes in the Swingback and Swing Arms. Insert a Bolt through the Swingarm and a Fender Washer into the Swingback wall and screw it into the Molded-in T-nut on the inside of the Swingback. See Drawing #2. Repeat procedure on the other end of the Swingback.

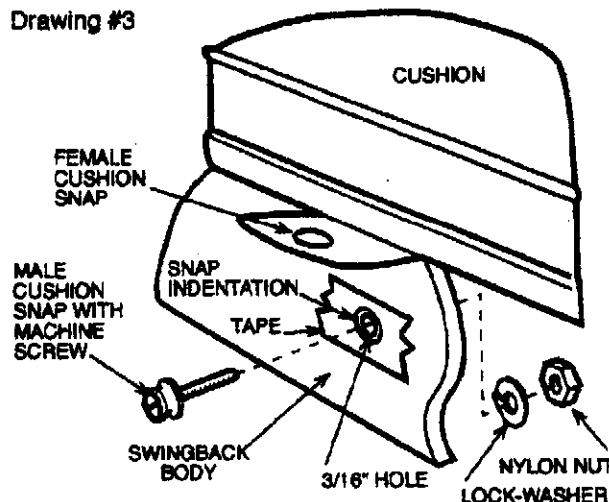
Drawing #2



Step 3) To install the Male Cushion Snaps, place the Cushion in position on the Swingback. Place a piece of tape under the center Female Snap and press the snap hard enough to make an impression in the tape. Using the mark as a guide, drill a 3/16" dia. hole. Remove the marking tape. Attach a Male Cushion Snap with Machine Screw, Lock-washer and Nylon Nut. See Drawing 3.

Step 4) With the center Snap attached, mark the other 2 snap locations and repeat the Step 3 instructions on those 2 snaps. Attach those snaps and repeat the procedure on the other side of the Swingback.

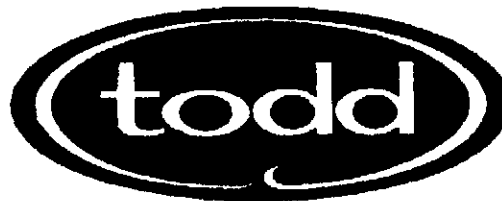
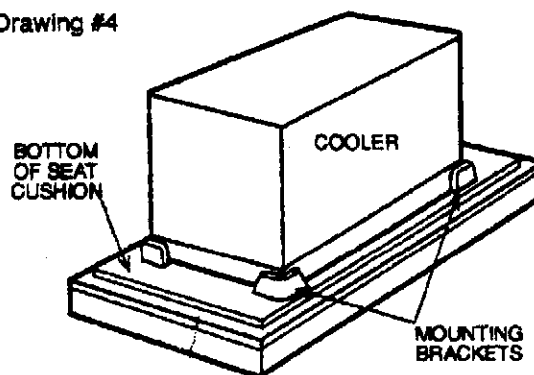
Drawing #3



Hold-down Kit Instructions:

If you desire to use a Hold-down Kit (Available from the cooler manufacturer.) to secure the cooler inside the Swingback, remove the seat from the Swingback and place it top down. Center the upside down cooler on the bottom of the seat, position the brackets at the corners of the cooler, mark the locations and attach them to the bottom of the seat with appropriate fasteners. See Drawing 4

Drawing #4



Todd Marine
530 Wellington Ave, Cranston, RI 02920